

FACTORY: No.9, Auto industry park, Suizhou city, Hubei province, China

Tel: +86 136 4729 7999

+86 136 4729 9000

Email: info@isuzutrucks.cn.com

Whatsapp/Wechat: +86 136 7721 8585

ISUZU



POWERSTAR

POWERSTAR

Premium ISUZU special trucks manufacturer





POWERSTAR TRUCKS INDUSTRY CO., LIMITED was founded in 1983, is premium special purpose vehicle manufacturer china . We are authorized ISUZU special purpose vehicles manufacturer , more than 20 years great experience on produce variety of trucks:

- ISUZU sanitation trucks
- ISUZU tanker trucks
- ISUZU fire trucks
- ISUZU giga trucks
- The distribution of ISUZU genuine parts and accessories
- SKD , CKD Servicing and local training guidance
- Customized upper structurers on other truck chassis



Our main manufacturing plant is located in national high-tech zone, suizhou city, hubei province, adjacent to Wuhan tianhe airport. Our newly built plant is approximately 700,000 sqm. Being the largest manufacturer of special vehicles in china , Powerstar has a total annual production capacity of more than 15,000 units, employing 1500 staff with total assets numbering at 1.6 billion RMB.

We have strong international R&D team employs more than 180 senior engineers from Mainland China, UK, Germany, Italy and the Netherlands. With a series of patents and exclusive production processes, we were honored with the title of "National High and New Technology Enterprise" from the government.

As of today, we are the owner of various established brands in China and international, they are

POWERSTAR (group company, premium special vehicles exporter),

CHUSHENG (Branch company, for China mainland)

CEEC (Branch company, for Australia and middle east).

We have post-doctoral research station, provincial enterprise technology center and a provincial engineering technology research center. At the same time, we are the National Torch Plan and Key High-tech and Innovative Enterprise, We are nominated in the SSE theme "2025 made in China" and it won the most growth value award of listed company in China.

Powerstar - For your success!

Company's facility



Aluminum tank workshop



Aluminum tank workshop



Tank workshop



Assembly workshop



Garbage truck workshop



Garbage truck workshop



Mixer workshop



Mixer workshop



Dumper workshop



Tipper workshop



Painting room



Spare parts

Export case



Myanmar - 20 units water truck



Phillipine - 50 units Giga tractor



Europe- 10 unit freezer trucks



Comodia- 130 units fire truck



Dubai - 11 units trucks



Myanmar- 10 units sweeper truck



Laos- 20 units cargo truck



Myanmar - 10 units garbage compactor



Mogolia - 10 units trucks



Bulk shipment



RORO shipment



Container transport

Customer visit



Dubai customer



Armenia clients



Ethiopian customer



Middle east customer



Dubai customers



Philippines clients



Belgium clients



Europe clients

Garbage Compactor



Key Features:

- Various size body from 3cbm to 10cbm.
- ISUZU engine, super powerful, reliable performance, no overhaul within 1,000,000 km.
- Imported SIEMENS PLC integrated control high-efficient working.
- Different rear lifting system are optional.
- Can be put into 20", 40" container and ship to worldwide.



5 CBM

6 CBM

8 CBM

10 CBM

98 HP

120 HP

130 HP

190 HP

Advantages:



200 L sewage tanker



Automatic operation system



Germany technology oil cylinder



High strength protector



Italy imported valve system



reliable bin lifting system



TST monitor system

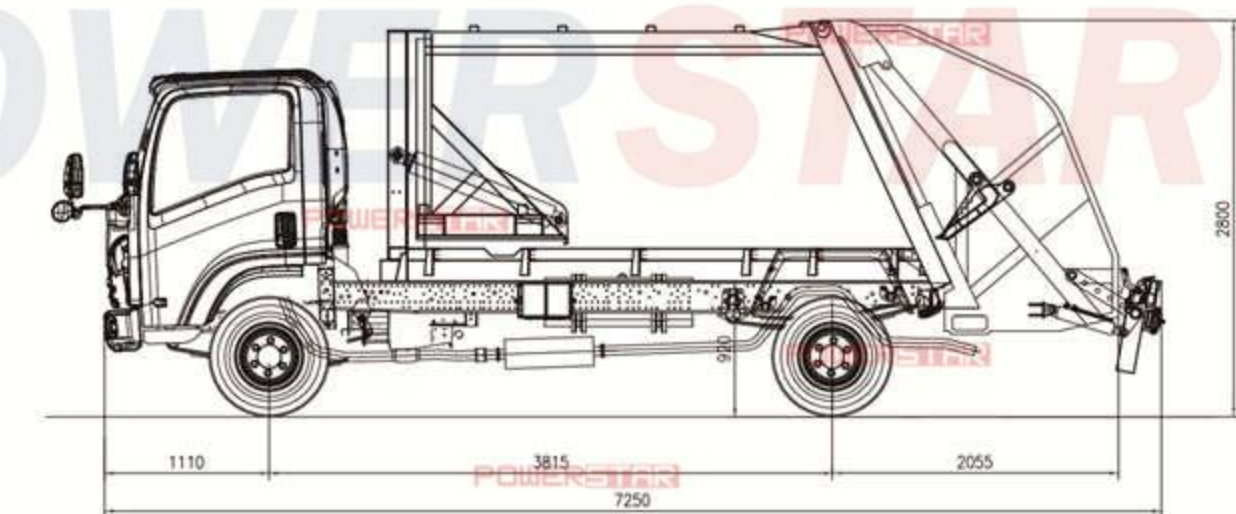


Ultra high strength steel garbage box

Specifications:

General	Vehicle Brand	POWERSTAR	
	Chassis Brand	ISUZU	
	Overall Dimension	7350 * 2350 * 2730 mm	
	GVW / Kerb Weight	10,000kg / 6,750kg	
Cab	Cab Capacity	3 persons allowed	
	Air Conditioner	Heating/cooling air conditioner	
Engine	Fuel Type	Diesel	
	Engine Brand	ISUZU	
	Power	190 HP (98HP, 120HP, 130HP)	
	Displacement	5200ml	
Chassis	Emission Standard	Euro IV or V	
	Drive Type	4X2, (left hand drive)	
	Transmission	ISUZU MLD 6 speed levers with 1 reverse	
	Wheelbase/No. of axle	3815 mm / 2	
	Tire Specification	8.25-16	
	Tire Number	6 tires and 1 spare tire	
	Max Speed	95 km/h	
	Paint	Metallic paint	
	Superstructure	Body capacity	8 cbm (3-10cbm)
		Fill Hopper capacity	0.8 cbm
Sewage tank		200 liters	
Filling work cyclcy time		20~25 s	
Discharge model		Horizontal Ejection	
Control system		Electrically Hydraulic control Manual hydraulic control	
Control panel		English or Your language	
Optional	All standard accessories: Dust bin lifter, Ladder, warning lights, Emergency stop button, handrail, fire extinguisher, basic tool kit, English manual.....		
	** Back alarm and Camera can be equipped.		
	** Italy mult-valve can be chosen. ** 240L (single bin or double bin) or standard 660 L, 1100 L bins with bin lifter can be choose.		

Customized Drawing:



Garbage Compactor



Key Features:

- Various size body from 10cbm to 22cbm.
- ISUZU GIGA engine, strong power; no overhaul within 2,000,000 km.
- Europe design, Electric-pneumatic control for easy operation.
- Different rear lifting system are optional.
- Steady construction, Optional 400L Sewage tank avoid second pollution.



Advantages:



Germany SIEMENS PLC control box



Import Durable Hydraulic Valve



International 240L & 1100L bin Lifter



200L Sewage tanker prevent second pollution



ISO certified Hydraulic cylinders



Patented design with balance valve for safety



Import circuit component box

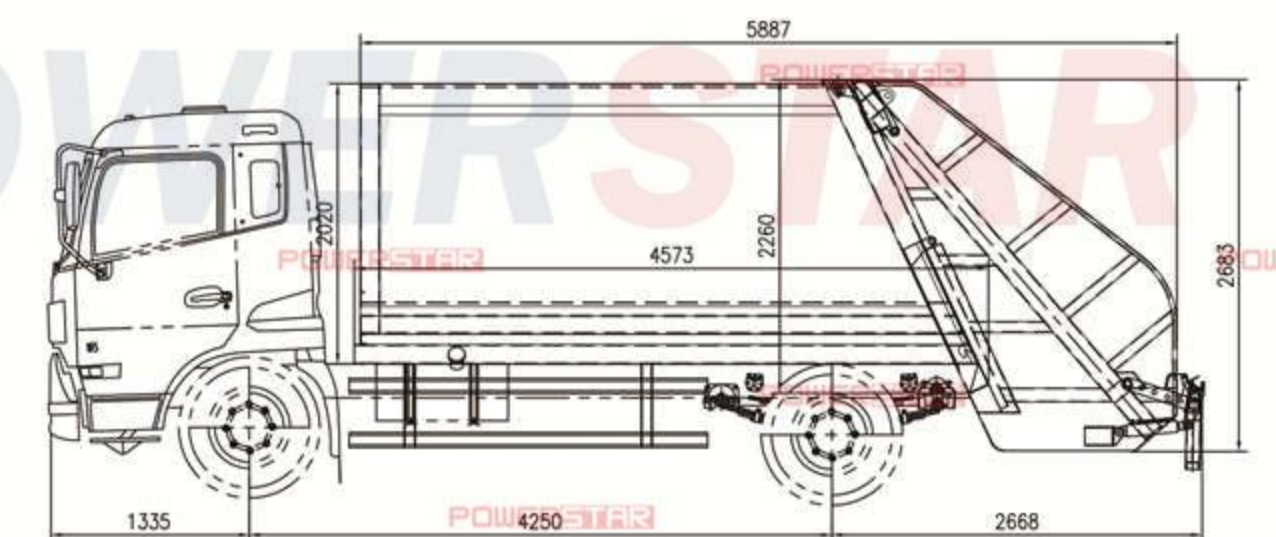


CE standard hydraulic oil pipeline

Specifications:

General	Vehicle Brand	POWERSTAR
	Chassis Brand	ISUZU
	Overall Dimension	8860 * 2500 * 2980 mm
	GVW / Kerb Weight	16,000kg / 6,750kg
Cab	Cab Capacity	3 persons allowed
	Air Conditioner	Heating/cooling air conditioner
Engine	Fuel Type	Diesel
	Engine Brand	ISUZU
	Power	350 HP (205HP, 240HP,300HP)
Chassis	Displacement	5200ml
	Emission Standard	Euro IV or V
	Drive Type	4X2,6x4, (left hand drive)
	Transmission	ZF 8 speed levers with 1 reverse
	Wheelbase/No. of axle	4500 mm / 2
	Tire Specification	10.00-20
	Tire Number	6 tires and 1 spare tire
Superstructure	Max Speed	95 km/h
	Paint	Metallic paint
	Body capacity	14 cbm (12-20cbm)
	Fill Hopper capacity	1.6 cbm
	Sewage tank	200L / 400L
	Filling work cyclcy time	20~25 s
	Discharge model	Horizontal Ejection
	Control system	Electrically Hydraulic control Manual hydraulic control
	Control panel	English or Your language
	All standard accessories: Dust bin lifter, Ladder, warning lights, Emergency stop button, handrail, fire extinguisher, basic tool kit, English manual.....	
Optional	** Back alarm and Camera can be equipped. ** Italy mult-valve can be chosen. ** 240L (single bin or double bin) or standard 660 L, 1100 L bins with bin lifter can be choose.	

Customized Drawing:

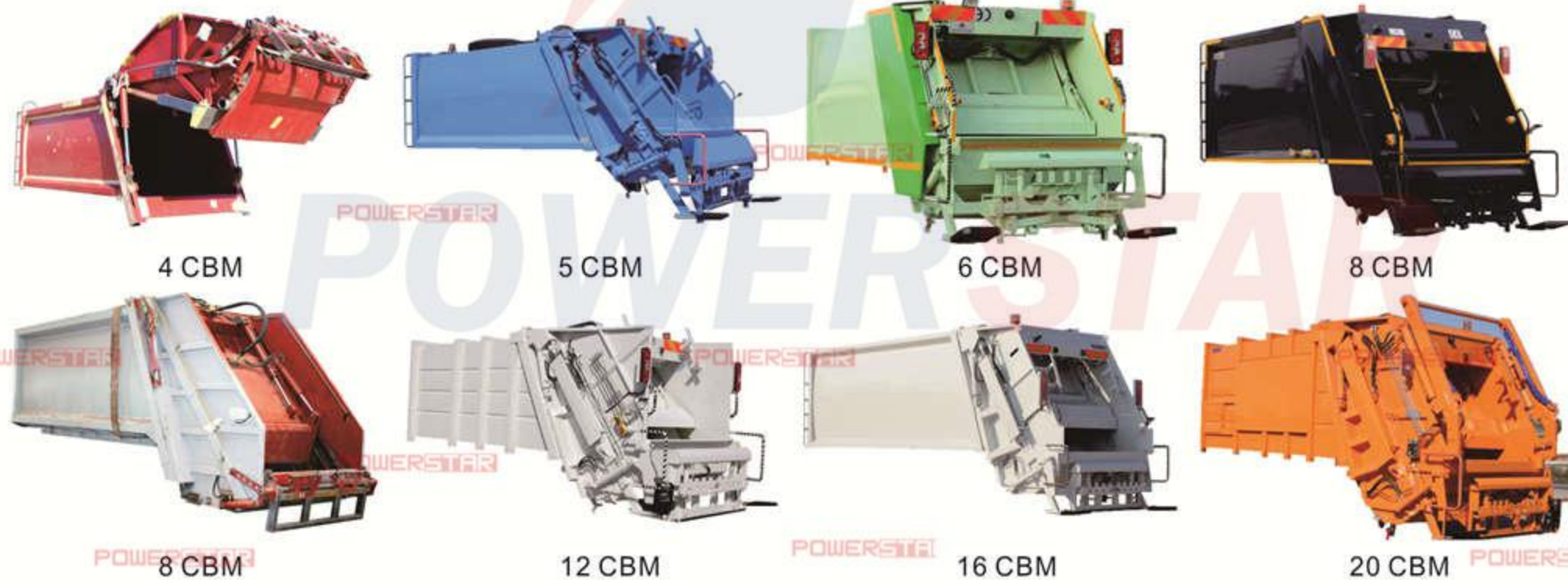


Compactor Kit



Key Features:

- 7 days production time, delivery by 20", 40" container to worldwide.
- Customized body CAD design, 100% suitable for local chassis.
- Right hand drive chassis available.
- Huge price advantage: Low tax and low freight.
- Manual, online technical support, even engineer go to your site installation.
- Suitable for truck chassis: **ISUZU, HINO, Mitsubishi, HOWO, FOTON, JAC, DONGFENG, FAW, SHACMAN, JMC.**



Advantages:

- Tailgate Assembly
- Side Plate Assembly
- Push Plate Assembly
- Auxiliary Frame Assembly
- Waste Water Tank Assembly
- Hydraulic Cylinder
- Pneumatic valve
- Hydraulic Oil Tanker
- Control Valve

Specifications:

NO.	Item	Name	Code	Quantity	Comments
1	Compactor body	Tank Assembly	YS8-0100000	1	
2		Tail Gate Assembly	YS8-0200000	1 set	
3		Scraper Assembly	YS8-0300000	1 set	
4		Slide Plate Assembly	YS8-0400000	1 set	
5		Tilt Device Assembly	YS8-0500001	1 set	
6	Spare Parts	Oil Pump		1 unit	
7		PTO		1 unit	
8		Five Function Multi-way Valve		1 set	Installed
9		Hydraulic Oil Tank	60L	1 unit	Installed
10		PLC Control Box		1 set	Installed
11		Electric System		1 set	Installed
12		Balance Valve	5060BF2	2 units	Installed
13		Hosepipe, oil pipe & Joint		1 set	Installed
14		Slide Plate Oil Cylinder	YS8T50/90	2 units	Installed
15		Scraper Oil Cylinder	YS8T 50/80	2 units	Installed
16		Lifting Oil Cylinder	YS8T 50/80-840	2 units	Installed
17		Tilt Device Oil Cylinder	45/80-410x170	2 units	Installed
18		Push Pate Oil Cylinder	55/125-1220x2600	1 unit	Installed
19		Sliding Block	Nylon	1 set	Installed
20		Hose Protector		1 set	Installed
21	Ball Valve	1' 1/4	1 unit	Installed	
22	Stainless Steel Cover	DN50	1 unit	Installed	
23	Side lamps		1 set	Installed	
24	Others	Cushion		2 units	
25		U-style Bolt		8 units	
26		Plastic Fender (semicircle)		2 units	
27		Side Fence Assembly		2 sets	
28		Waste Water Tank Assembly (With Support)		1 unit	
29		Standard Part		1 set	
30		LED Roating Light		2 set	
		Control box in cabin		1 set	Control type: Electrically (AUTO) + Manual
		Control panel outside		2 set	
		Emergency stop button		1 set	

Customized Drawing:



Road Sweeper



Key Features:

- Various dustbin body from 3cbm to 15cbm with stainless steel material.
- Visualized operation system, easy operation.
- Imported PLC integrated control reduces fault rate, high-efficient working.
- The front brushes with spring impact protection system
- Two-level clutch can protect the motor efficient working.
- Multi-level spray system can effectively reduce second dust pollution.



3+1 CBM

4+1 BM

6+2 CBM

7+2 CBM

98 HP

120 HP

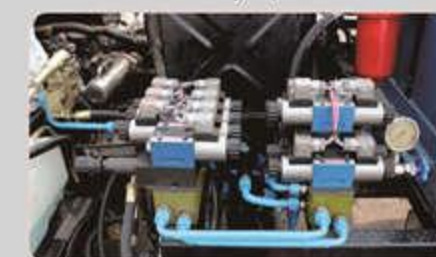
130 HP

190 HP

Advantages:



Japan technology control box for easy operation



Germany pneumatic valves



Super powerful fan systems



Patent design water spraying system for dedusting



Strong practicality rear suction plate



America technology brush



ISUZU super auxiliary engine

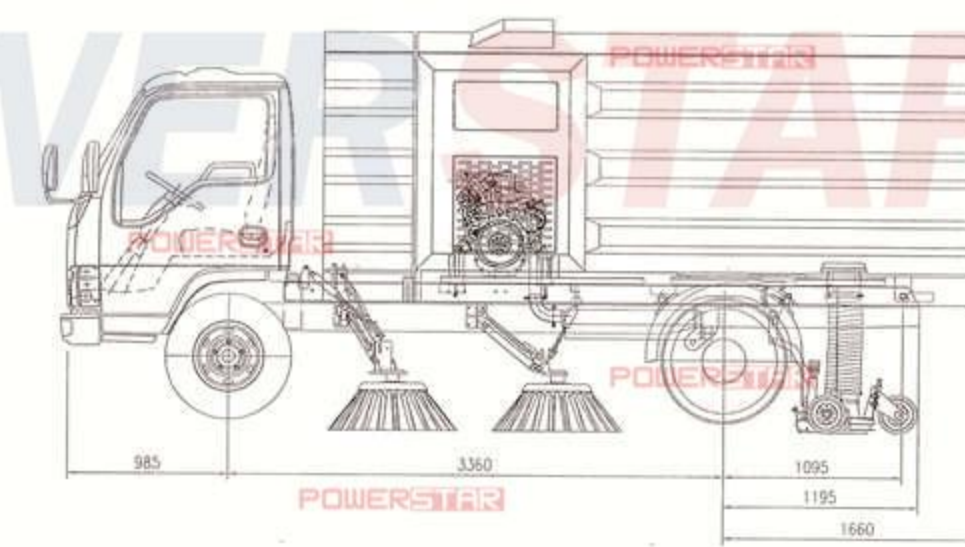


Ss304 stainless steel water tank

Specifications:

General	Vehicle Brand	POWERSTAR
	Chassis Brand	ISUZU
	Overall Dimension	5850 * 2000 * 2530 mm ³
Cab	GVW / Kerb Weight	7,000kg / 4,150kg
	Cab Capacity	3 persons allowed
	Air Conditioner	Heating/cooling air conditioner
Engine	Fuel Type	Diesel
	Engine Brand	ISUZU
	Power	98 HP (72 KW)
Chassis	Displacement	2777ml
	Emission Standard	Euro IV or V
	Drive Type	4X2, (left hand drive)
	Transmission	ISUZU MSB 5 speed levers with 1 reverse
	Wheelbase/No. of axle	3360 mm / 2
	Tire Specification	7.00-15
	Tire Number	6 tires and 1 spare tire
	Max Speed	95 km/h
	Paint	Metallic paint
	Superstructure	Dustbin tank
Water tank		1,000 liters
Sweeping width		3-20 km/h
Working speed		20~25 s
Max sweeping		65000 m ² /h
Control system		Electrically Hydraulic control
Control panel		English or Your language
Optional	All standard accessories: Auxiliary engine, dust control system, fire extinguisher, basic tool kit, English manual.....	
	** Back alarm and Camera can be equipped.	
	** Water jetting system can be choose.	
		** Paint color or LOGO.

Customized Drawing:



Sweeper Kit



Key Features:

- Various dustbin body from 3cbm to 15cbm with stainless steel material.
- Visualized operation system, easy operation.
- Imported PLC integrated control reduces fault rate, high-efficient working.
- The front brushes with spring impact protection system
- Suitable for truck chassis: **ISUZU, HINO, Mitsubishi, HOWO, FOTON, JAC, DONGFENG, FAW, SHACMAN, JMC.**



3+1 CBM

4+1 CBM

6+2 CBM

8+2 CBM

4+1 CBM

4+1 CBM

6+1 CBM

6+2 CBM

Advantages:



Stainless steel material tanker body



ISUZU brand Auxiliary Engine



Super powerful Fan Assembly



Italy brand Brevini Motor



Sweeper Bracker Plate



Germany SIEMENS Main Control Box



Suction Plate Assembly



LED Arrow Lamp

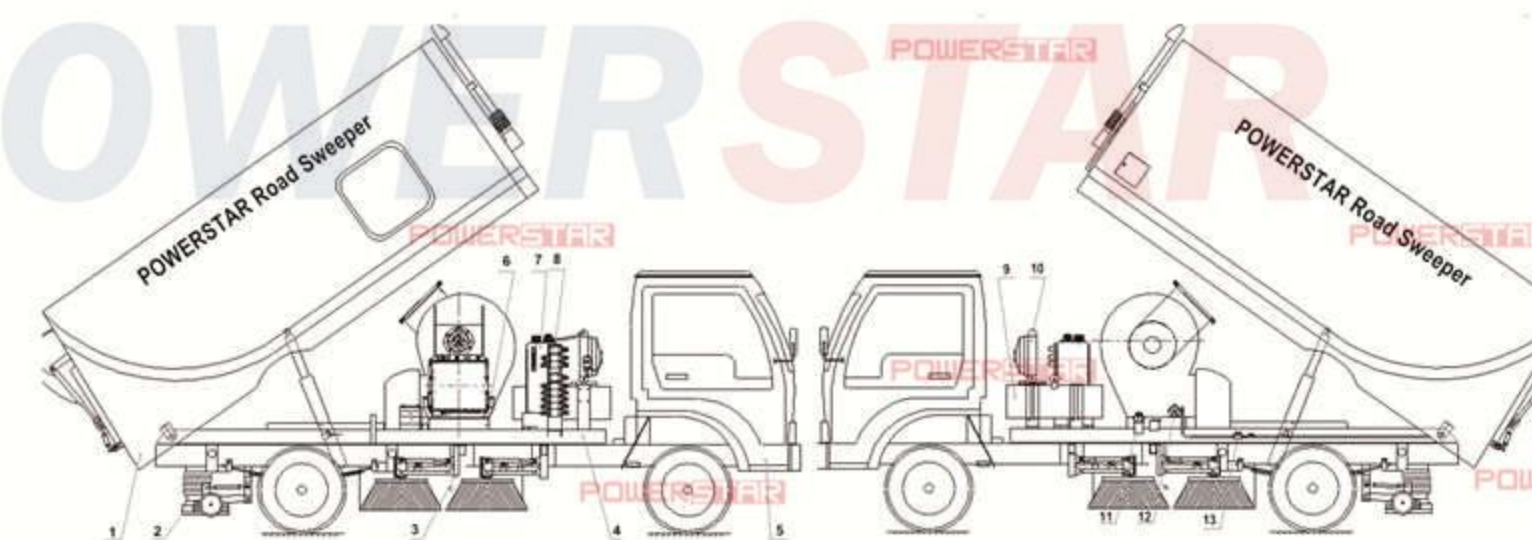


CCC standard road sweep brush

Specifications:

Road Sweeper Body Kit (4 CBM dustbin + 1 CBM water tank)		
General	Kit Brand	POWERSTAR
	Chassis Brand	ISUZU, Hino, Nissan (Any brand)
	Overall Dimension	According to Design
Chassis	Drive Type	4X2,6x4 (LHD or RHD)
	Tech Drawing	Necessary
	Wheelbase/No. of axle	From 2600 mm to 5000 mm / 2
	Tire Specification	7.00-16 or optional
Superstructure	Operation Panel	English
	Dustbin Capacity	4 CBM (can be optional)
	Dustbin Material	Stainless Steel
	Water Tank volume	1,000 Liters (can be optional)
	Water Tank Material	Stainless Steel
	Sweeping Capacity	45,000 m³/h
	Sweeping Speed	3-15 km/h
	Max Sweeping Width	2800 mm~3500 mm
	Brooms	2 sets at each side
	Sweeping efficiency	≥96%
	Garbage dump angle	50°
	Max suction capacity	Suction density 2.0g/cm³ Suction fineness 100mm
Auxiliary Engine	ISUZU tech engine 77 HP (57 KW), super powerful	
All standard accessories: Warning lights, music alarm, basic tool kit, English manual.....		
Optional	** Backup alarm can be equipped. ** Camera can be equipped. ** Operation language can be English or Appointed language	

Customized Drawing:



Hook Lift



Key Features:

- Various types of container are available.
- 15 days delivery time, ship by 20", 40" container to worldwide.
- Lifting capacity from 3Tons to 25Tons.
- Standard hydraulic level control, optional in-cabin electrical control.
- Customized hook lift superstructure for export are welcome.



Advantages:



Europe good design



Powerful dual hydraulic cylinder



Water proof control box



English operation panel



51 degree dumping angle



Automatic locking



Special bins design

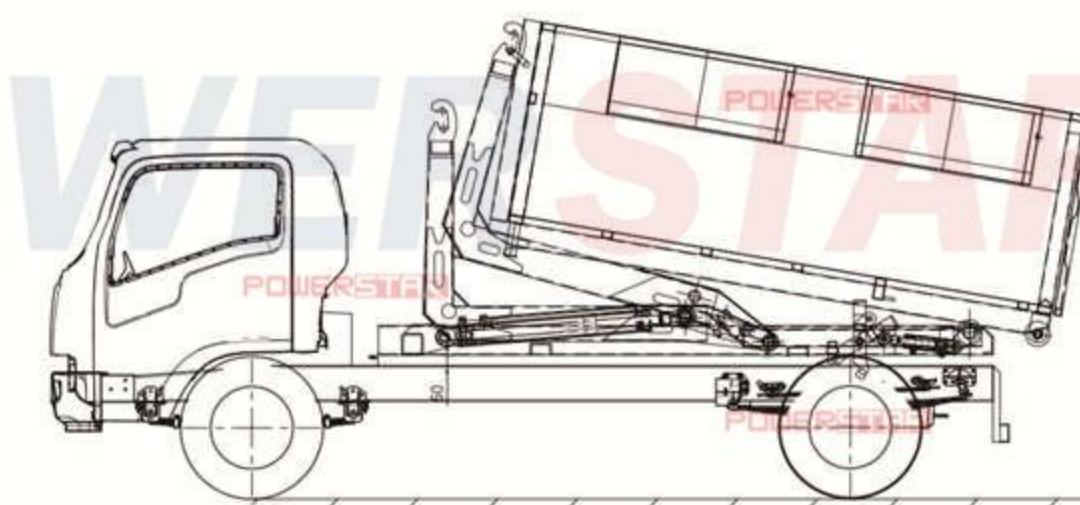


Container quickly delivery

Specifications:

General	Vehicle Brand	POWERSTAR
	Chassis Brand	ISUZU NKR
	Overall Dimension	6100 * 2200 * 2650 mm
Cab	GVW / Kerb Weight	11,000kg / 4,100kg
	Cab Capacity	3 persons allowed
Engine	Air Conditioner	Heating/cooling air conditioner
	Fuel Type	Diesel
	Engine Brand	ISUZU
Chassis	Power	190 HP (139 KW)
	Displacement	5199 ml
	Emission Standard	Euro 4 or 5
	Drive Type	4X2, (left hand drive)
	Transmission	5 speed levers with 1 reverse
	Wheelbase/No. of axle	3815 mm / 2
	Tire Specification	8.25-16
	Tire Number	6 tires and 1 spare tire
	Max Speed	90 km/h
	Paint	Metallic paint
Superstructure	Lift Capacity	8 Tons
	Max dump angle	51°
	Garbage bin volume	8 cubic meters
	Hydraulic system pressure	16 MPa
	Garbage bin material	Carbon steel
	Control	Hydraulic Manual
Optional	Discharge method	Rear dumping
	All standard accessories: Warning lights, music alarm, basic tool kit, English manual.....	
** Backup alarm can be equipped.		
** Imported multiway-valve can be equipped.		
** Operation language can be English or Appointed language.		

Customized Drawing:



Skip Loader



Key Features:

- Various types of body size is available.
- 15 days delivery time, ship by 20", 40" container to worldwide.
- Lifting capacity from 3Tons to 25Tons.
- Standard hydraulic level control, optional in-cabin electrical control.
- **Customized skip lift superstructure for export are welcome.**



4 CBM

4 CBM

6 CBM

4+4 CBM

10 CBM

12 CBM

14 CBM

14 CBM

Advantages:



Multi-way control Valve



Strength steel Swing Arm



Hydraulic cylinder



Swing arm chain



Hydraulic legs for support



CE standard hydraulic pipe



Safety fence at two sides

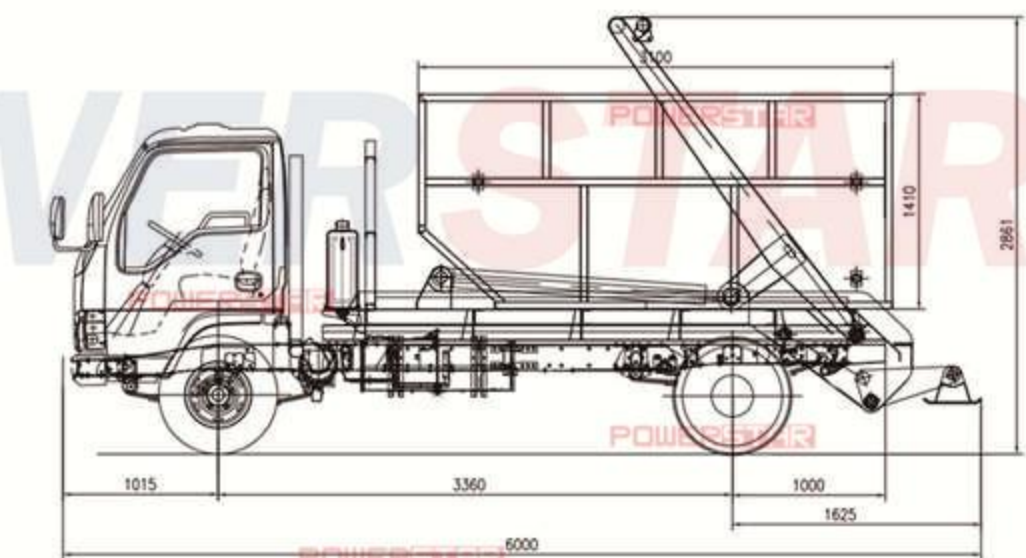


Customer language guidance

Specifications:

General	Vehicle Brand	POWERSTAR	
	Chassis Brand	ISUZU ELF	
	Overall Dimension	5180 * 2000 * 2470 mm	
	GVW / Kerb Weight	7,000kg / 2,520kg	
	Cab Capacity	3 persons allowed	
Cab	Air Conditioner	Heating/cooling air conditioner	
	Fuel Type	Diesel	
Engine	Engine Brand	ISUZU	
	Power	98 HP (72 KW)	
	Displacement	2777 ml	
Chassis	Emission Standard	Euro 4 or 5	
	Drive Type	4X2, (left hand drive)	
	Transmission	5 speed levers with 1 reverse	
	Wheelbase/No. of axle	3360 mm / 2	
	Tire Specification	7.00-15	
	Tire Number	6 tires and 1 spare tire	
	Max Speed	90 km/h	
	Paint	Metallic paint	
	Superstructure	Lift Capacity	6 cbm
		Useable Loading capacity	4,500 kg
Pick up time		40 s	
Unloading time		22 s	
Garbage bin material		Carbon steel	
Control		Hydraulic Manual	
Optional	Discharge method	Rear dumping	
	All standard accessories: Warning lights, music alarm, basic tool kit, English manual.....		
** Backup alarm can be equipped.			
** Bins size can be optional.			
** Operation language can be English or Appointed language .			

Customized Drawing:



Oil Tanker



Key Features:

- Fuel tank volume from 3,000L to 35,000L.
- Tank material can be **Carbon steel, Stainless steel** or **Aluminum alloy**.
- Separate compartment to enable delivery different liquid.
- High-standard bottom valve and Euro type aluminum manhole are employed.
- Optional Fuel dispenser, API valve, bottom loading manifold, gasoline vapor recovery system.



4000L

5000L

12000L

15000L

18000L

20000L

LPG LNG

Aircraft Refueller

Advantages:



CE certified Fuel dispenser



Aluminum rear door



CE qualified refueling pipe



Euro type manhole cover



front exhausting system



high defination logo



reliable pipe system

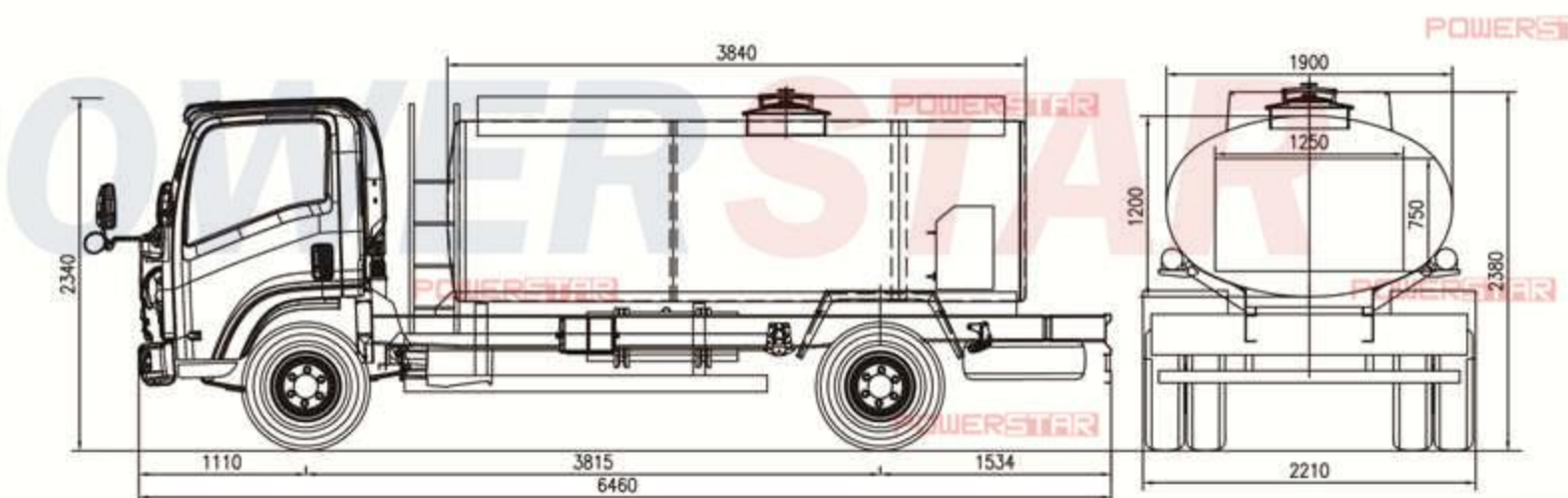


valve system with flow meter

Specifications:

General	Vehicle Brand	POWERSTAR
	Chassis Brand	ISUZU
	Overall Dimension	6300 * 2200 * 2650 mm
Cab	GVW / Kerb Weight	10,000kg / 3,670kg
	Cab Capacity	3 persons allowed
Engine	Air Conditioner	Heating/cooling air conditioner
	Fuel Type	Diesel
Chassis	Engine Brand	ISUZU
	Power	190 HP (139 KW)
	Displacement	5199 ml
	Emission Standard	Euro 3,4 or 5
	Drive Type	4X2, (left hand drive)
	Transmission	5 speed levers with 1 reverse
	Wheelbase/No. of axle	4175mm / 2
	Tire Specification	8.25-16
	Tire Number	6 tires and 1 spare tire
	Max Speed	95 km/h
Superstructure	Paint	Metallic paint
	Tank Capacity	8,000 Liters
	Tank shape	Ellipse
	Material	Carbon steel, 5mm
	Body Material	Weather resisting steel
	Fuel pump	China famous brand
	Control	Manual (Optional air operated)
Rear working platform	Standard	
Optional	All standard accessories: Warning lights, music alarm, basic tool kit, English manual.....	
	** Vapor recovery system can be equipped.	
	** GPS, charging system can be equipped.	
	** Operation language can be English or Appointed language .	

Customized Drawing:



Water Tanker



Key Features:

- Water tank volume from 3,000L to 25,000L.
- Tank material can be Carbon steel, Stainless steel or Aluminum alloy.
- Super powerful water pump, efficient pump in and pump out.
- Rear working platform, Front/rear/side spray are standard equipment.
- Extended model: **Portable water truck, Water spray truck, Water delivery tanker, Liquid food tanker, Fire water truck, Pesticide spraying truck, Dust suppression truck.**



Advantages:



front spray



rear spray



Side spray



Warning Light



Flat ball level gauge indicator



High quality safety protector



Aluminum valve

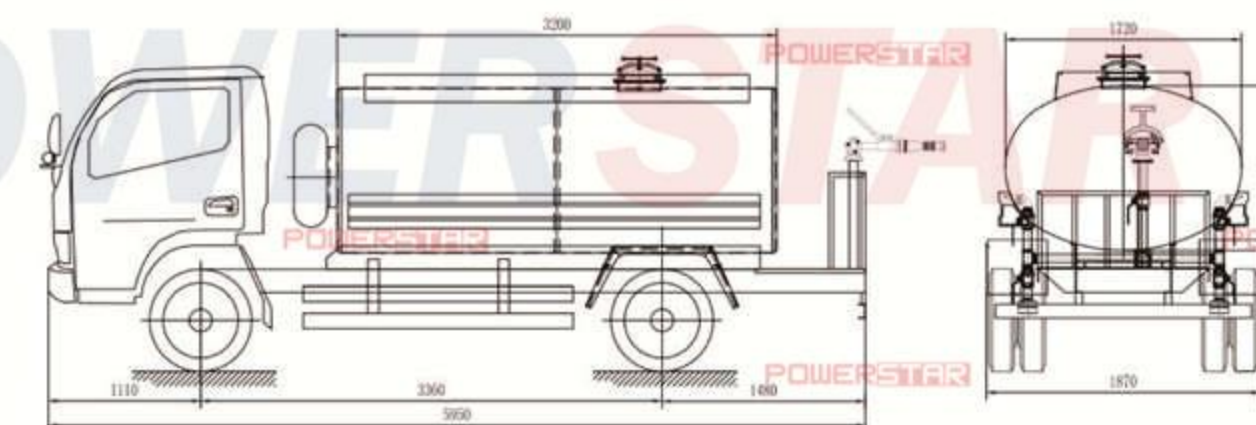


High strength steel carbon steel

Specifications:

General	Vehicle Brand	POWERSTAR
	Chassis Brand	ISUZU
	Overall Dimension	9900 * 2500 * 3850 mm
Cab	GVW / Kerb Weight	25,000kg / 10,800kg
	Cab Capacity	3 persons allowed
Engine	Air Conditioner	Heating/cooling air conditioner
	Fuel Type	Diesel
	Engine Brand	ISUZU
Chassis	Power	280 HP (206 KW)
	Displacement	7790 ml
	Emission Standard	Euro IV or V
	Drive Type	6X4, (left hand drive)
	Transmission	9 speed levers with 1 reverse
	Wheelbase/No. of axle	4350+1300 mm / 3
	Tire Specification	12.00 - 20
	Tire Number	10 tires and 1 spare tire
	Max Speed	95 km/h
	Paint	Metallic paint
Superstructure	Tank Capacity	14,000 Liters
	Tank shape	Ellipse
	Material	Stainless steel, 5mm
	Body Material	Weather resisting steel
	Water pump	China famous brand
	Control	Manual (Optional air operated)
Optional	Rear working platform	Standard
	All standard accessories: Warning lights, music alarm, basic tool kit, English manual.....	
** Backup alarm can be equipped.		
** Camera can be equipped.		
** Operation language can be English or Appointed language.		

Customized Drawing:



Sewage Truck



Key Features:

- Multi-functional, simple operation and easy maintenance.
- Sewage tank volume from 3,000L to 25,000L.
- Tank material can be Carbon steel, Stainless steel or Aluminum alloy.
- Super powerful vacuum pump, efficient pump in and pump out.



3000L



4000L



6000L



8000L



12000L



14000L



18000L



Sewage Kit

Advantages:



CAD body design



Super hydraulic oil tanker



Hydraulic control valves



Reinforced cylinder for tanker cover



Durable hydraulic system



Level alarm system, in cabin



DN 100 rear valve, Ss316

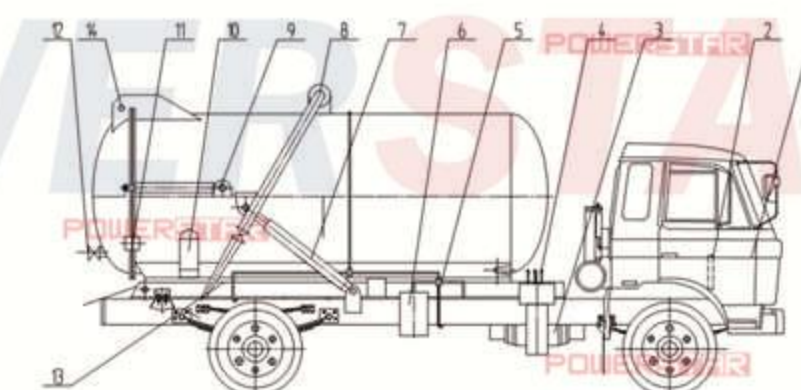


Optional Separation System

Specifications:

General	Vehicle Brand	POWERSTAR
	Chassis Brand	ISUZU
	Overall Dimension	7620 * 2300 * 3100 mm
Cab	GVW / Kerb Weight	10,000kg / 4,580kg
	Cab Capacity	3 persons allowed
	Air Conditioner	Heating/cooling air conditioner
Engine	Fuel Type	Diesel
	Engine Brand	ISUZU
	Power	190 HP (139 KW)
Chassis	Displacement	5200 ml
	Emission Standard	Euro IV or V
	Drive Type	4X2, (left hand drive)
	Transmission	6 speed levers with 1 reverse
	Wheelbase/No. of axle	4175 mm / 8
	Tire Specification	8.25-20
	Tire Number	10 tires and 1 spare tire
	Max Speed	95 km/h
	Paint	Metallic paint
	Superstructure	Tank Capacity
Tank shape		Ellipse
Material		Carbon steel, 4mm
Body Material		Weather resisting steel
Vacuum pump		Italy / China famous brand
Control		Manual
Optional	Hose	Wire strengthened hose
	All standard accessories: Warning lights, music alarm, basic tool kit, English manual.....	
** Backup alarm can be equipped.		
** Other vacuum pump can be equipped.		
** Water jetting can be optional.		
** Operation language can be English or Appointed language .		

Customized Drawing:



- 1, air operated valve
- 2, PTO box joysticks
- 3, vacuum pump
- 4, manual operated valve
- 5, four-way valve
- 6, oil-gas separator
- 7, rollover oil tanker
- 8, suction valve
- 9, open-door cylinder
- 10, discharge valve
- 11, rear door clamping device
- 12, scupper valve
- 13, suction soft pipe
- 14, safety alarm

Sewer Jetting



Key Features:

- High pressure Drain line, surface, industrial cleaning.
- Tank volume from 3,000L to 15,000L.
- Italy HPP high pressure plunger pump, reliable performance and long service life.
- Tank interior adopt rust prevention and antiseptic.
- High pressure hose reel diameter and length can be optional.



Stainless steel tank Rear platform Italy technology parts Italy high pressure pump



3000L 4000L 6000L 10000L

Combined Vehicle



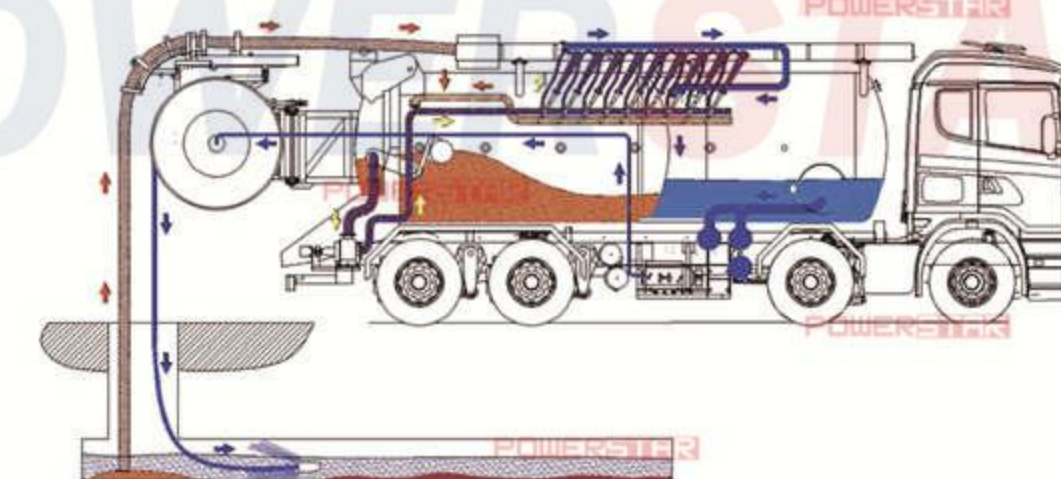
Key Features:

- Combined sewer jetting and sewage suction.
- For removing and transporting sand, stones, grease, sludge and other debris.
- Imported plunger pump and vacuum pump, reliable performance
- High pressure drain line, surface, industrial cleaning.
- Safety and filtering systems for high pressure jetting systems.



3000L+1000L 3000L+3000L 5000L+3000L 8000L+5000L

Customized Drawing:



Fire Truck



Key Features:

- Multi-functional, simple operation and easy maintenance.
- Tank material can be Carbon steel, Stainless steel or Aluminum alloy.
- All series necessary fire equipment as factory standard.
- Free training in factory if customers need.
- Original USA Darley and HALE Fire pump, Fire monitor can be optional.
- Extended model: **Water fire truck, Foam fire truck, Dry powder fire truck, Forest fire truck, Water tower fire truck, Emergency rescue fire truck, Lighting tower fire truck.**



Factory Standard Equipment			
No	Item	No	Item
1	Water Suction Pipe (Ø100)	12	Extinguisher
2	Water strainer (Ø125)	13	Fire Fighting Barrel
3	Water segregator (Ø80-65/65)	14	DC switching gun
4	Water collector (Ø125-65/65)	15	DC blossom water
5	Fire hose (Ø65* 20m)	16	Air foam gun
6	Fire hose (Ø50* 20m)	17	Fireman's axe
7	Fast joint KJ65/80	18	Fire Axe
8	Hose protector	19	Fire Shovel
9	Hose Hoist	20	First Aid Kit
10	Ground Hydrant-wrench	21	Jacklight For Working (10Hours, 500m)
11	Underground Hydrant-wrench	22	Suction pipe wrench
Optional Equipment			
1	1000V Dielectric Assembly	2	121 sets Truck maintenance tools
3	Cable cutting knife	4	Aluminum Ladder 6M-20M
5	Fire protection suit	6	Towing cable
7	Fire rescue rope	8	Air respirator resuscitator



Fire Truck



Key Features:

- Foam tank, Water tank, Dry powder tank volume can be optional.
- Tank material can be Carbon steel, Stainless steel or Aluminum alloy.
- All series necessary fire equipment as factory standard.
- Free training in factory if customers need.
- Original USA Darley and HALE Fire pump, Fire monitor can be optional.
- Extended model: **Water fire truck, Foam fire truck, Dry powder fire truck, Forest fire truck, Water tower fire truck, Emergency rescue fire truck, Lighting tower fire truck.**



5000L 6000L 8000L 12000L

16000L Hino fire truck Raise lighting fire truck Rescue fire truck with crane



Optional fire pump with control panel



Multi-function fire monitor



Different firefighting equipment meet all requirement



Durable fire hose



Multi-function fire gun optional



Water filter to keep using convenient



Optional rescue fire equipment

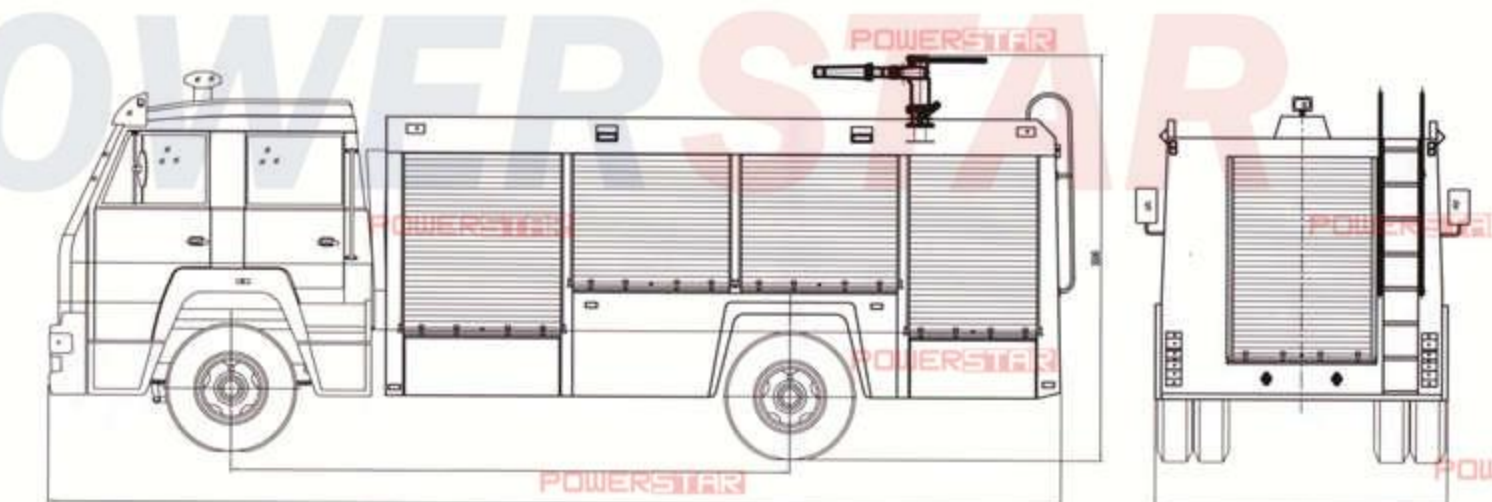


Aluminum firefighting ladder

Specifications:

Manufacturer	POWERSTAR TRUCKS INDUSTRY CO., LIMITED			
Product Name	Foam Fire Tender Truck ISUZU (8,000 L water+2,000L foam+1000KG powder)			
Vehicle Brand Series	ISUZU			
Vehicle Model	PT5250GXFPM50			
Chassis parameters	Overall dimensions	mm	12350*2500*3500	
	Gross weight	kg	25000	
	Curb weight		14580	
	Wheel base	mm	5100+1300	
Engine	Driving type		6x4	
	Number of axles		3	
	Tire specification		12.00-20	
	Number of Tires		10+1	
Fire performance	Passengers in cab		2+4	
	Engine model		6HK1-TCG40	
	Type of fuel		Diesel	
	Power/Displacement	ml	280HP /7790	
Fire performance	Max speed	Km/h	110	
	Emission standard(TAS)		EURO 4/	
	Tank capacity			Water tank capacity: 8000 L
				Foam tank capacity:2000 L
				Powder tank capacity: 1000 L
	Fire pump			Model: CB10/60
				Pressure (Mpa): 1.0
	Fire monitor			Rate (L/S): 60
				Model:Ps48
				Flow:48L/S
Electronic alarm			Water jet distance:≥55m	
			Foam jet distance: ≥50m	
Alarm lamp			LY CJB-100-C24	
			LY TBD-XF-168LED	

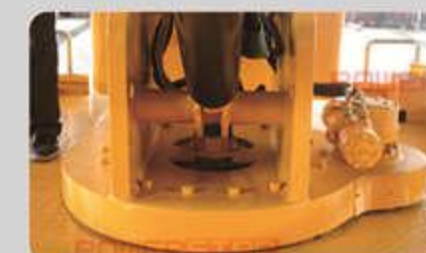
Customized Drawing:



Aerial Platform



Advantages:



Imported swing mechanism



200KG working cage



Four support legs



Extra front support leg



PLC control box in cage



Hydraulic control level



Aluminum stage

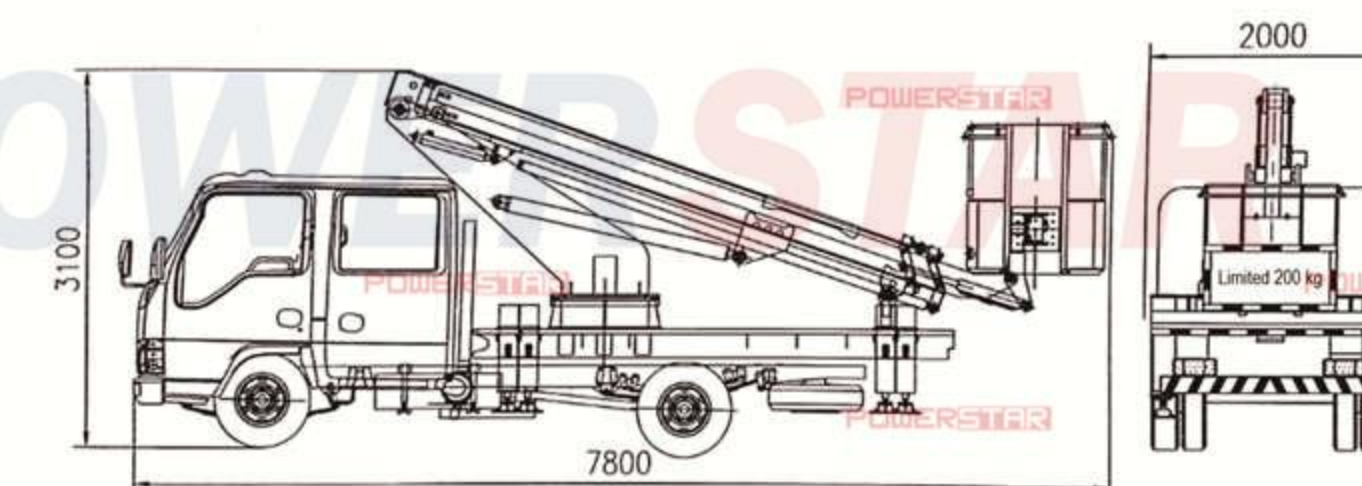


LCD control panel

Specifications:

General	Vehicle Brand	POWERSTAR
	Chassis Brand	ISUZU
	Overall Dimension	7650 x 2100 x 3250 mm
Cab	GVW / Kerb Weight	6,810 kg / 6,485 kg
	Cab Capacity	2+3 persons allowed
Engine	Air Conditioner	With air conditioner
	Fuel Type	Diesel
	Engine Brand	ISUZU engine, 4KH1-TCG40
	Power	120Ps (88KW)
	Displacement	2999 ml
Chassis	Emission Standard	Euro IV
	Drive Type	4X2, left hand drive
	Transmission	ISUZU MSB transmission, 5-forward gears & 1 reverse, no overhaul within 500,000km
	Wheelbase/No. of axle	3815 mm / 2
	Tyre Specification	7.00-16 or 7.00R16
	Tyre Number	6 tyres and 1 spare tyre
	Max Speed	95 km/h
Superstructure	Paint	Metallic paint
	Cage Rated Capacity	200 kg
	Working Height	16 m
	Beam	The beam is articulated & telescopic extension type, hydraulic actuated and controlled
	Slewing	Slewing range is continuous 235° (minimum) with a slewing speed of maximum 15° per second.
	Control	Control both on the ground and remote control in cage
Optional	Safety Device	Relief valve, balance valve, double-way hydraulic lock, hand operated emergency hydraulic pump
	Leveling System	Hydraulic stabilizer to level the vehicle on uneven ground
		1, Working height 12m ~ 28m. 2, Insulated cage; Wireless remote-control system 3, Extra front support leg.

Customized Drawing:



Crane Truck



Advantages:



Crane at rear part



High seat operation



Easy operation panel



Remote control



Front leg



Assistant rear leg



Customized body design

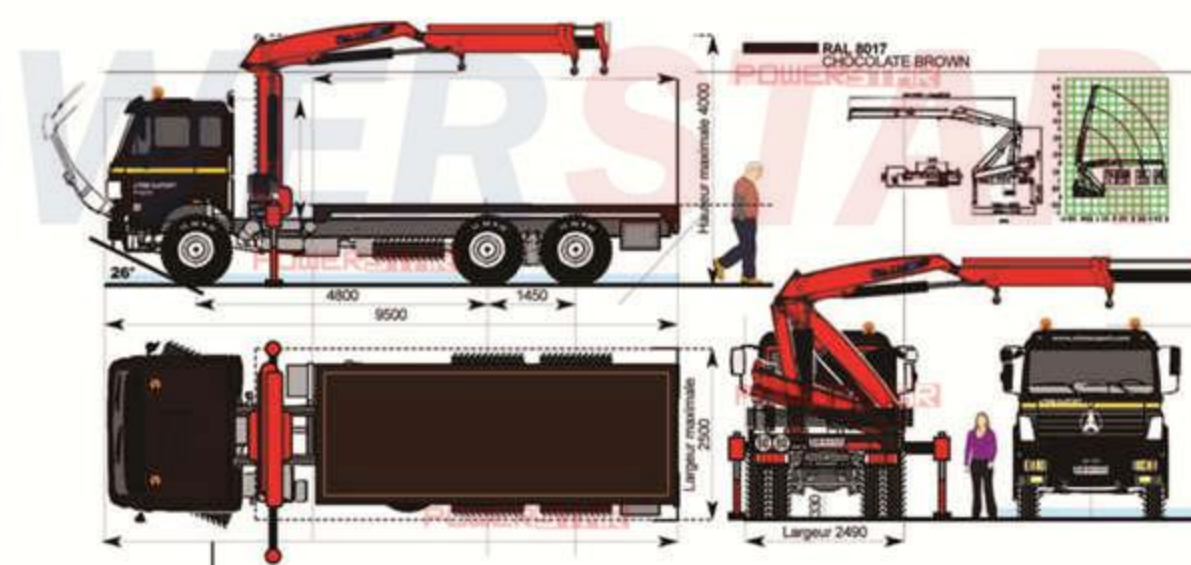


Tipper with work cage

Specifications:

General	Vehicle Brand	POWERSTAR
	Chassis Brand	ISUZU
	Overall Dimension	7350 * 2350 * 2730 mm
Cab	GVW / Kerb Weight	10,000kg / 6,750kg
	Cab Capacity	3 persons allowed
Engine	Air Conditioner	Heating/cooling air conditioner
	Fuel Type	Diesel
	Engine Brand	ISUZU
Chassis	Power	190 HP (98HP, 120HP, 130HP)
	Displacement	5200ml
	Emission Standard	Euro IV or V
	Drive Type	4X2, (left hand drive)
	Transmission	ISUZU MLD 6 speed levers with 1 reverse
	Wheelbase/No. of axle	3815 mm / 2
	Tire Specification	8.25-16
	Tire Number	6 tires and 1 spare tire
	Max Speed	95 km/h
	Paint	Metallic paint
Superstructure	Crane Lifting	5 Tons
	Max Lifting Moment	6.8 T.M
	Hydraulic oil tank	30 L
	Cargo body	4500x2200x550 mm
	Floor material	Checkered plate or Wood
Optional	Control system	Manual hydraulic control
	Control panel	English or Your language
	All standard accessories: Cargo body, warning lights, fire extinguisher, basic tool kit, English manual.....	
Optional	** Telescopic boom crane or Knuckle boom crane . ** Crane brand XCMG, UNIC, HIAB, PALFINGER. ** Cargo body size, Remote control, Working cage, Assistant rear leg.	

Customized Drawing:



Recovery Truck



3T 5T Wrecker with Crane Hyundai Wrecker



2T 5T 25T 35T

Advantages:



Folding down 8-10 degree



Folding down 0 degree



Strong lifting system



Easy hydraulic level control



Powerful hydraulic system



5Tons crane



High performance flat bed

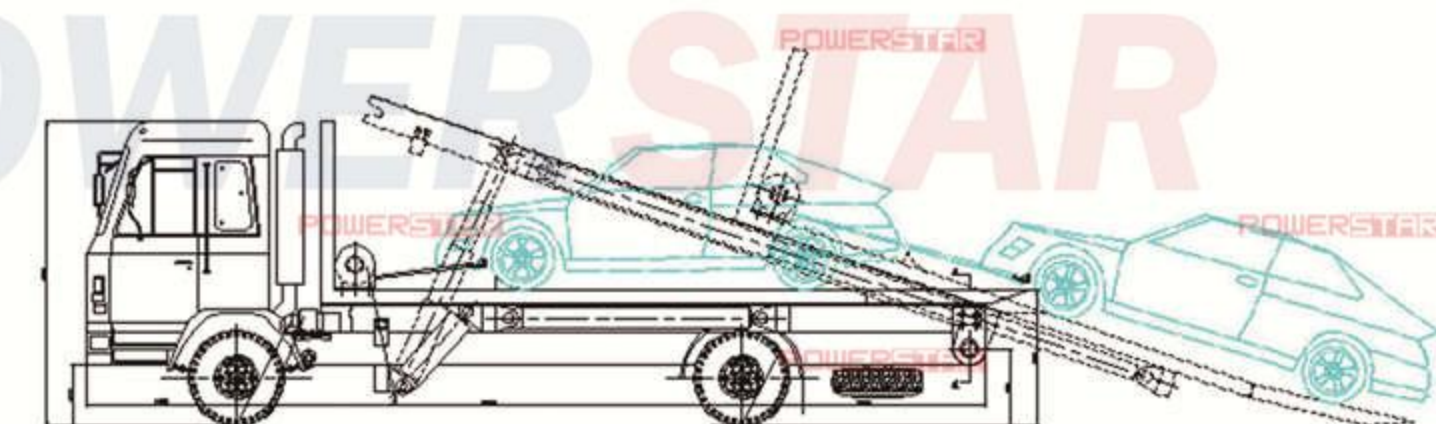


60Tons towing system

Specifications:

Model	PT5100TQZ	
Driving Type	4x2 (Left hand drive)	
Wheelbase	4475 mm	
Cab	Forward control over engine, all-steel-welded construction	
Boom Structure	Rated towing weight	7000kg
	Max. Lifting weight	2500kg
	Max. Lifting weight of full extending boom	1800kg
	Effective length of boom	1600mm
	Extension traveling of boom	1200mm
	Elevation of boom (upper/ lower)	9~10°
Platform Structure	Min. Elevation of full extending platform	8°
	Max. Loading of platform	5000kg
	External dimension of platform (L×W×H)	6200×2400mm
	Ground clearance of cage floor	1035mm
	Max. Pulling power of winch	4000kg
	Dia. Of steel cable	10mm
	Length of steel cable	25m
	Min. Speed of steel cable	4.5m/min
Engine	Model	4HK1-TCG40
	Type	Diesel, turbo charged inter-cooled, 4 cylinder
	Max. Power	139 KW (190 HP)
Gearbox	MLD 6-shift, mechanical type, 5 forward and 1 reverse with	
Tire	8.25-20	
Color	Red (Any color & logos up to wish)	
Optional	1, Recovery capacity from 2Ton to 70Ton.	
	2, Extended model: Carrier, Platform wrecker, Full floor wrecker, Police wrecker, Wrecker with crane, Separated towing wrecker and 360-degree rotation wrecker.	

Customized Drawing:



Mobile Workshop



Advantatges:



Dispensing system



Full equipment



Filtrating system



Lighting system



Refill system



Segmented tank design

Specifications:

No.	Detailed configure	No.	Detailed configure
1	Truck chassis according to wish	14	Tire Pressure Gauge
2	Generator	15	Fire Extinguisher
3	Tools Trolley	16	Jib Crane Pillar Post
4	Mechanic Hand Tool Kit	17	Universal Chain Pulley
5	Electric Control Panel	18	Hose reel for water high pressure cleaner, hose reel for air
6	Water Tank with hose reel	19	Waste Oil Disposer
7	Water Filling Pump	20	Waste Oil Collection Pan
8	Pneumatic Grease Pump	21	Service Creeper
9	Pneumatic Tools Set	22	Oil Pan for Waste Oil Collection
10	Air Compressor	23	Fan ,LED Light & Sound Speaker
11	Bench Vice	24	Battery Charger
12	Work Bench	25	Battery Jumper Lead
13	Bench Grinder	26	

Advantatges:



Camping Truck



No.	Detailed configure	No.	Detailed configure
1	Inverter A/C	25	Water purifying tank
2	Sound system 12V	26	Water pump
3	Domestic refrigerator 12V	27	Drain tank assy
4	Double sofa	28	Black water tank assembly
5	Manual sunshade 2.5M	29	drain valve*2
6	Gas water heater	30	Water line system
7	Electromotion nightstool 12V	31	Battery case*2
8	Battery pack 400ah	32	Rear tow hook
9	Squaredome lamp	33	Titing ladder
10	Spot light	34	Bicycle frame
11	Battery protector	35	Supplying Power interface
12	Charging generator	36	Cupboard
13	Isolator	37	Hand basin
14	Smoke alarm	38	Bathroom
15	Flammable gas alarm	39	Monocular cover, hand washing basin
16	Shower assembly	40	Dry powder extinguisher
17	Liquefied air bottle	41	U shaped sofa variable bed
18	Inverter 3KW	42	Indoor curtains*4
19	Rear trailing device	43	Shower sun visor
20	Folding lifting table	44	Slide window curtain
21	Electrical intelligent control system	45	The whole cabinet
22	Bathroom ventilator and air outlet	46	Solar panel*5
23	Indoor air inlet fan and air outlet	47	Wood floor
24	Range hood and air outlet	48	assistant seat

Refrigerated Truck



Fruit & Vegetables Meat & Eggs Ice cream Deep frozen foods

Power-supply Van



70~100KW 200KW 300~500KW 800~1000KW

Customized Truck



ISUZU Self-loader truck Flatbed Truck Cargo Truck ISUZU troop carrier

Mobile Food Truck Medical Waste Truck Van bottle carrier truck

Cash Truck ISUZU Logistics Truck Flood Rescue Truck Mobile Publicity Van

Water Treatment Truck Dredge Rescue Truck Feed Transportation Truck ISUZU wing truck

Engineering Truck



3T



5T



8T



12T



ISUZU Cement Tanker



ISUZU Cement Tanker



ISUZU Pump Truck



HINO Pump Truck

Construction Truck



HINO Tractor



ISUZU Tractor



HINO Dump Truck



ISUZU Dump Truck



HINO Truck Mixer



ISUZU Truck Mixer

Tanker Semi-trailer



Bulk cement semi trailer 2-axle Bulk cement semi trailer 3-axle Bulk cement trailer 3-axle Bulk powder semi trailer 3-axle



Sulfuric acid semi trailer Sulfuric acid tank semi trailer LPG tanker trailer LPG semi trailer with frame



Fuel tank semi trailer Oil Tank semi trailer Oil Tanker semi trailer Fuel Tank Drawbar trailer



Aluminum tank semi trailer Stainless steel fuel trailer Liquid bitumen semi trailer Cesspit emptier semi trailer

Common Semi-trailer



Bogie suspension semi trailer Semi-trailer with side wall Semi-trailer with side wall Semi-trailer with side wall and gooseneck



Low bed semi trailer 2-axle Low bed semi trailer 3-axle Stake semi trailer with gooseneck Stake semi trailer



Skeletal container semi trailer Tipper semi trailer 2-axle Tipper semi trailer 3-axle Car carrier semi trailer



Refrigerated semi trailer Mobile maintenance semi trailer Van type semi trailer Drawbar trailer with side wall

Garbage collector



5CBM



6CBM



8CBM



12CBM

Garbage station



Vertical refuse compression station



Bottom lift type underground garbage compression station



Side lift type underground garbage compression station



Horizontal Level Preloaded Garbage Transfer Station

ISUZU Genuine Parts



100P Cabin Assembly



700P Cabin Assembly



Door Assembly



Steering Wheel



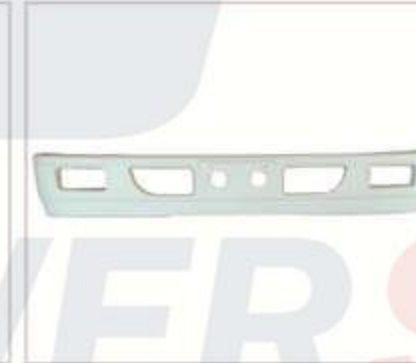
Dashboard Assembly



Seat Assembly



Padel



Front Bumper



Wiper Motor



Door Lock Assembly



Engine Assembly



Gearbox Assembly



Engine Fan Blade



Engine Cylinder Head



Cylinder Gasket



Fuel Injector Assembly



Air Filter Assembly



Clutch Plate



Engine Starter Motor



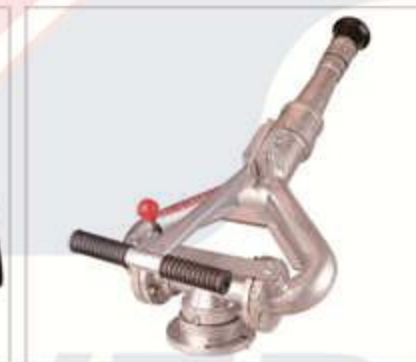
Flywheel Housing



Water Ring Vacuum Pump



Refueling Machine and Gun Assembly



Watering Monitor



Electric Control Box Assembly



Rotation Lamp



Filters



Garbage Bins



High Pressure Gun System



Gear Pump



Ball Valve